

vmware® EXPLORE



AI on the Horizon: Delivering Virtualized AI Environments to Students

[VMTN3081LV]



Tony

Has been virtualized for seventeen years. He has been architecting and building solutions for organizations large and small. Tony is also a senior principal technical marketing engineer at Dell focused on software defined storage. He is an adjunct professor at K-State teaching systems administration and managing a small lab. Discover more at wondernerd.net



Agenda

- Overview
- Limitations & Constraints
- Traditional Approaches
- A Better Solution
- Design
- Stumbling Blocks
- Where we are at
- The Future



Please See me following the session for questions

#VMTN3081LV #VMwareExplore @wonder_nerd



Overview CMST-180 Intro to Database Systems



Administration of
AI DB Workloads



Provide
management
experience



Isolated
environment



Both traditional
and global student
base



Small class to start
(8 to 10 Students)



Minimal IT
resources



Organizational Constraints

No Budget



Trial Only



Existing Equipment



Accessible From University VPN



8-10 students



Ubuntu & Windows



Promote Learning



Traditional Approaches – Don't Work!

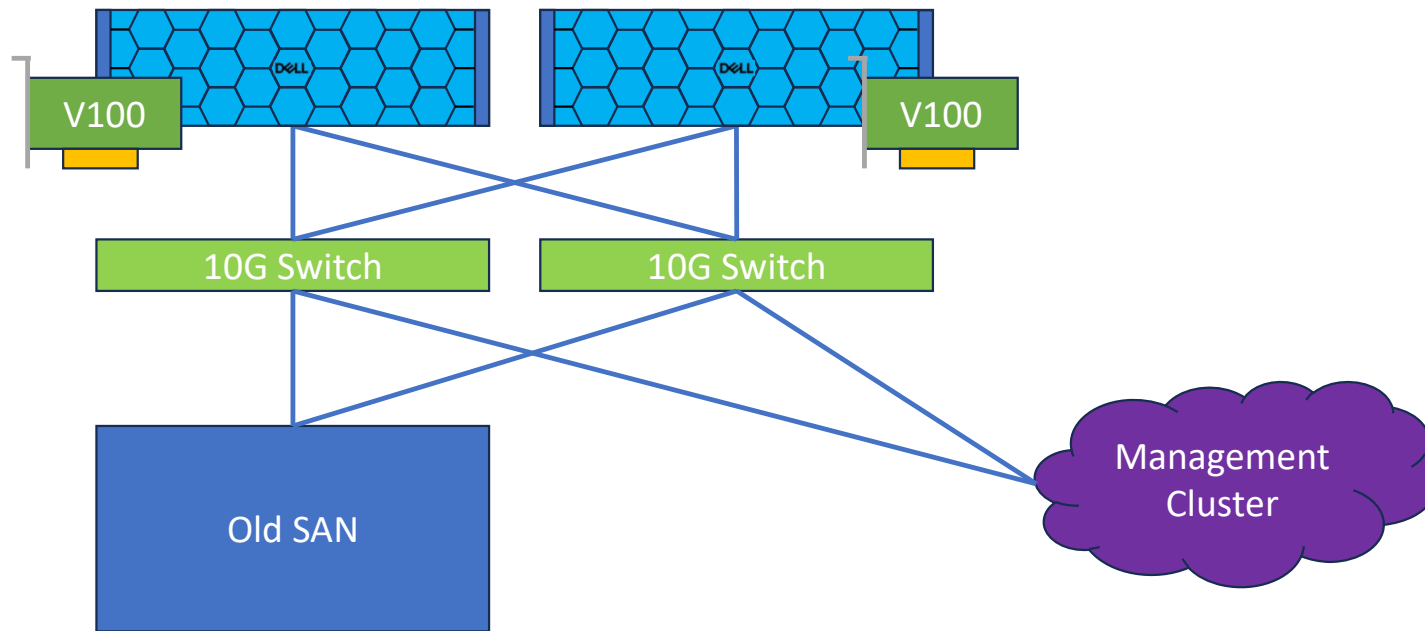


A Better Solution – VMware Horizon

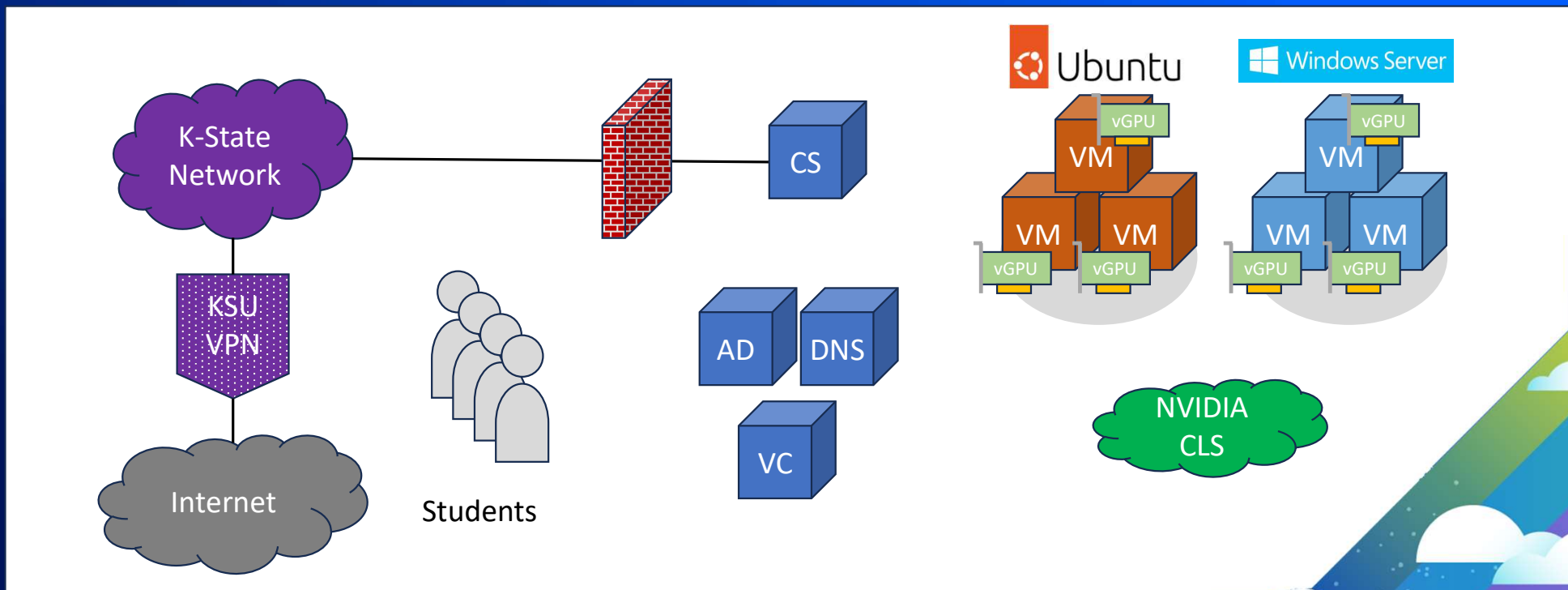
- Virtual Desktops
- Templates
- Isolation
- Choice of OS
- Slice of GPU
- Better GPU utilization



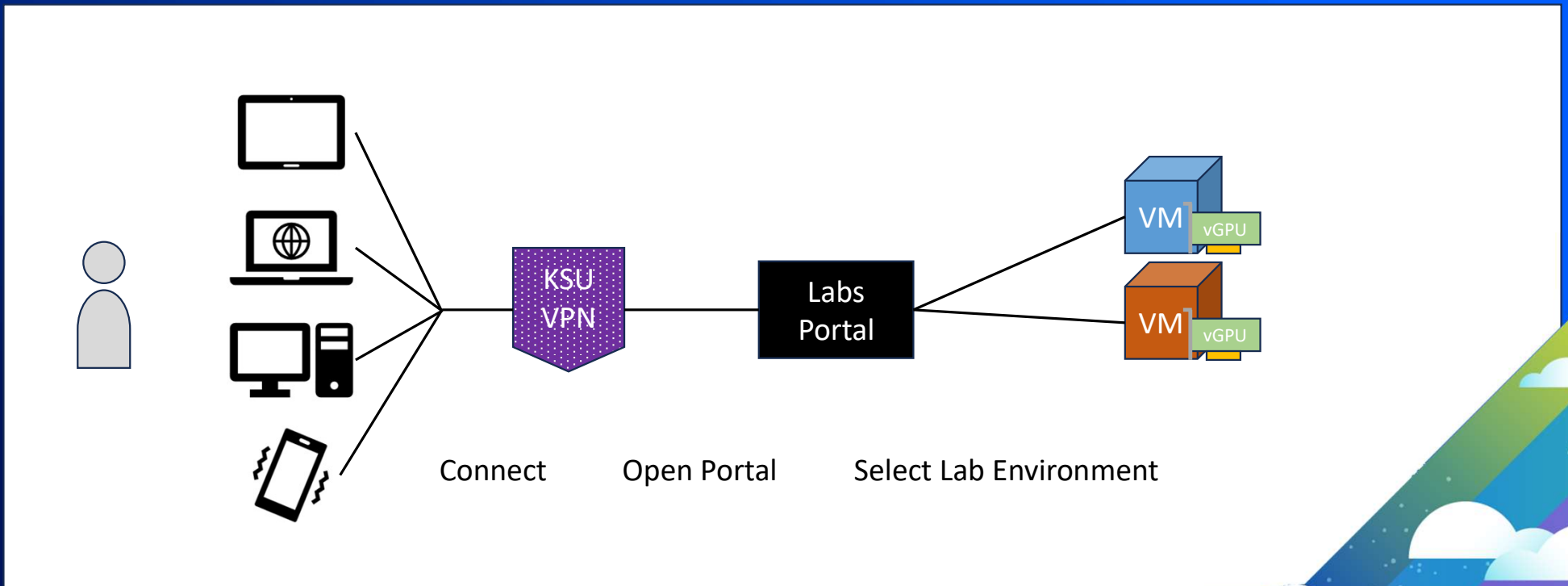
What We Architected - Physical



What We Architected - Logical



Student Experience



Stumbling Blocks

- Licensed as NVIDIA AI Enterprise != vWS
- A100s No Display Heads
- No Linked Clones
- Active Directory/DNS



Current State

- Environment's built
- Configuring Base Database Instances
- Configuring Templates
- Fixing some DNS issues
- Working with K-State IT on Name Resolution



Future State



Expand to more Classes



NVIDIA AI Enterprise license



VMware Horizon license



Additional Hosts/GPUs



Faster Network



Thank You!

WonderNerd.net

@Wonder_Nerd

[Linkedin.com/in/wondernerd](https://www.linkedin.com/in/wondernerd)

#VMTN3081LV #VMwareExplore @wonder_nerd

